



# Epix<sup>®</sup>

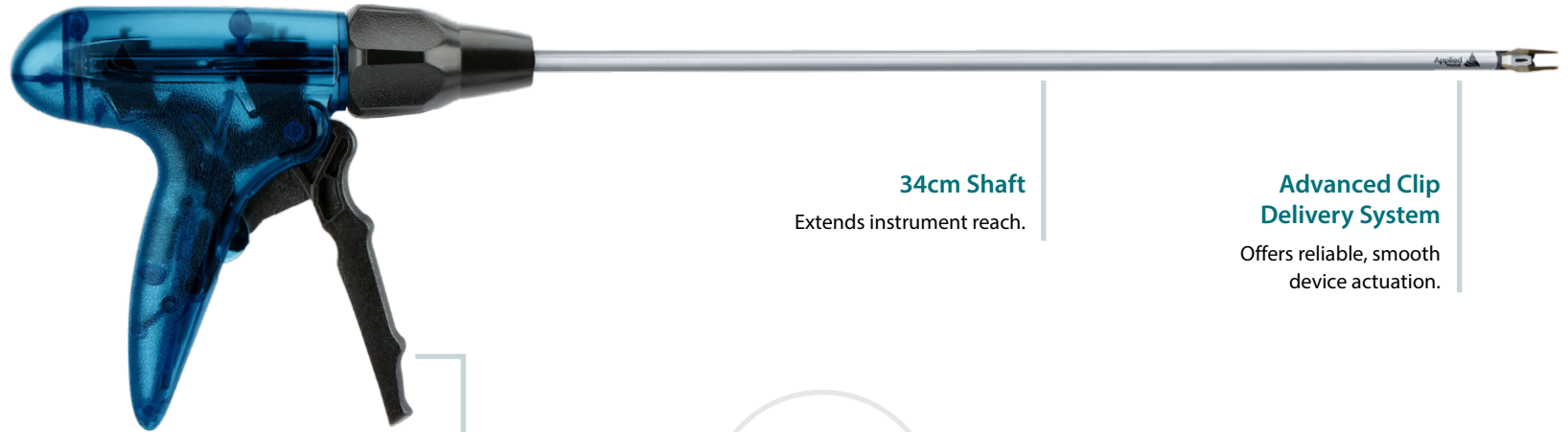
Universal Clip Applier

# ONE SOLUTION FOR LIGATION

## Low-Profile Jaw

Facilitates visualization and provides clearance around the tissue to be ligated.

Delivers a true M/L clip through a 5mm shaft when the device is used in tandem with a Kii® 5mm trocar.



### 34cm Shaft

Extends instrument reach.

### Advanced Clip Delivery System

Offers reliable, smooth device actuation.

### Ergonomic Handle Design

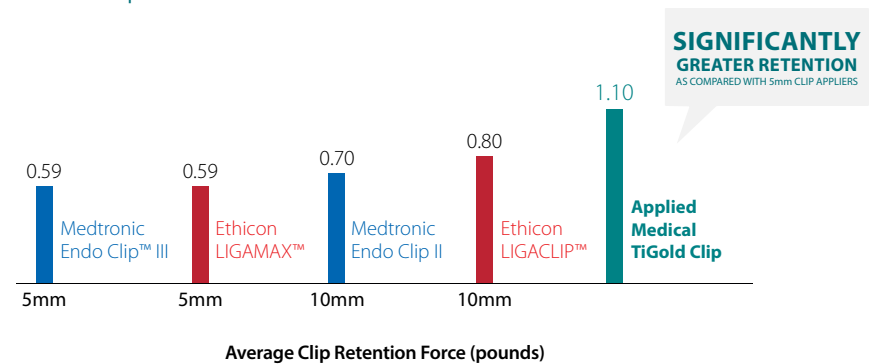
Provides optimal control during clip loading and closure.



True M/L clip

### TiGold® Clip Technology

Contributes to better clip retention by subjecting the clips to a proprietary heat treatment process.



Note: Numbers are based on an internal test report from May 2023.



## Epix Universal Clip Applier

Reorder No.

Qty/Box

*Epix universal clip applier (contains 20 M/L TiGold clips)*

CA500

3

Note: Model CA500 is compatible with Applied Medical Kii 5mm and larger trocars.

Visit [appliedmedical.com/epix](https://appliedmedical.com/epix) for more information.

The Epix universal clip applier is used in procedures to ligate tubular structures or vessels.

Ethicon, LIGAMAX and LIGACLIP are trademarks of Johnson & Johnson Corporation. Endo Clip is a trademark of a Medtronic company.

Please contact your Applied Medical representative for more information on availability. This information is intended for dissemination exclusively to healthcare professionals and is not intended to replace labeling and Instructions for Use (IFU). Please refer to the IFU for the indications, contraindications, warnings, precautions, instructions and other information.

© 2023 Applied Medical Resources Corporation. All rights reserved. Applied Medical, the Applied Medical logo design, and marks designated with the symbol © are trademarks of Applied Medical Resources Corporation, registered in one or more of the following countries: Australia, Canada, Japan, South Korea, the United States, the United Kingdom, and/or the European Union.

06/2023 194619-EN-C

